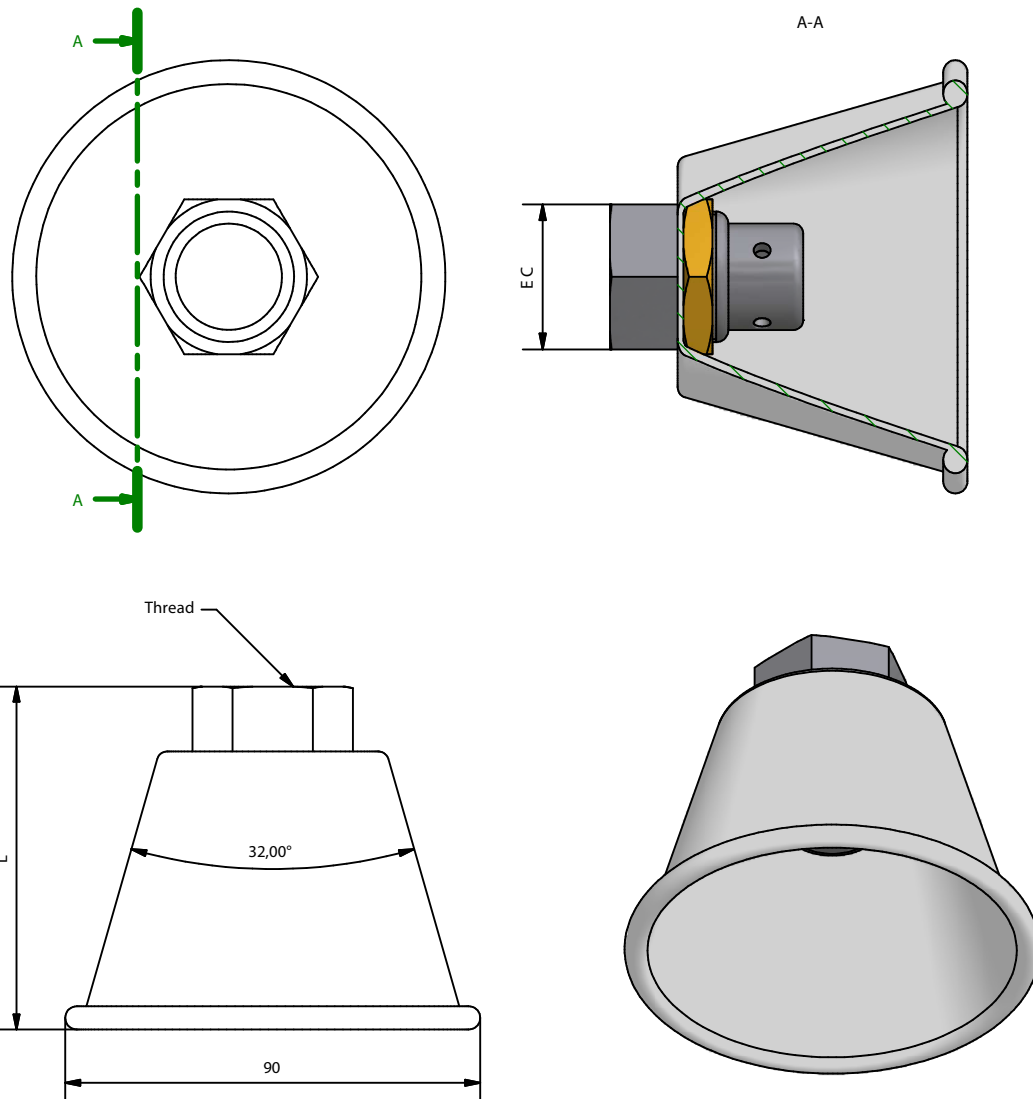




HORN DIFFUSER

AEX/DTCOxxC

Specifications	
Name	Value
Body-diffuser material	F212
Body finished	Chrome
Cone material	Anodised aluminium
Nut material	Brass
Calibration plate material	Brass



Reference	Description	Thread	L	EC	Weight
AEX/DTCO38C	Horn diffuser calibrated 3/8" female	Female Gas 3/8"	74 mm	30 mm	205 g
AEX/DTCO12C	Horn diffuser calibrated 1/2" female	Female Gas 1/2"	74 mm	30 mm	165 g
AEX/DTCO34C	Horn diffuser calibrated 3/4" female	Female Gas 3/4"	82 mm	32 mm	215 g
AEX/DTCO217C	Horn diffuser calibrated W21.8 female	Female W 21.8 x 1/14"	74 mm	30 mm	160 g



Av. Alfonso Peña Boeuf, 6 y 9
28022 MADRID - ESPAÑA
TEL: +34 913121656
FAX: +34 913295820

DATA SHEET HORN DIFFUSER

Description: Component that allows to obtain a predetermined flow and a characteristic of uniform distribution of the extinguishing agent inside or on the protected risk.

Code sheet:	Group sheet:	Reference:	Drawn:	Date:	Revised:	Date:	Review:	Format:
AEX-FTC-02-016	CO2	VER TABLA	DCM	28/12/2016	MRC	28/12/2016	1	A4